

# Ergoplan Hutch

## Assembly Instructions

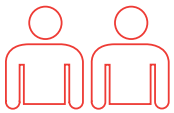
**Tools Required:** Powered Screwdriver



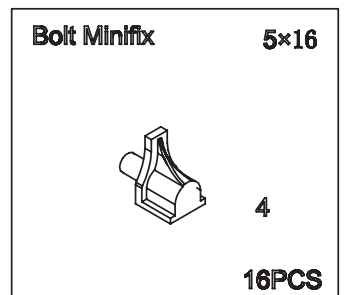
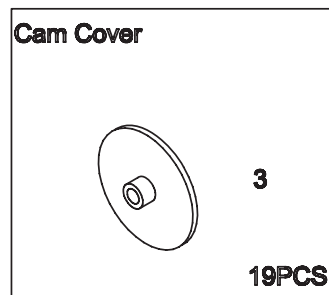
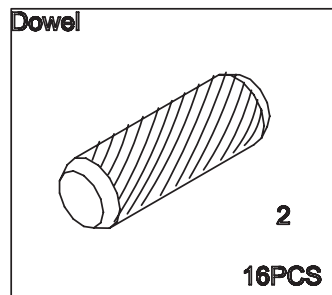
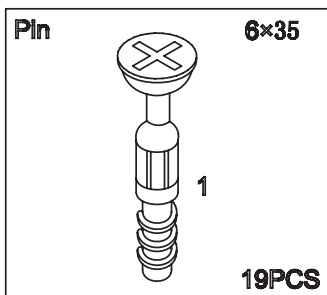
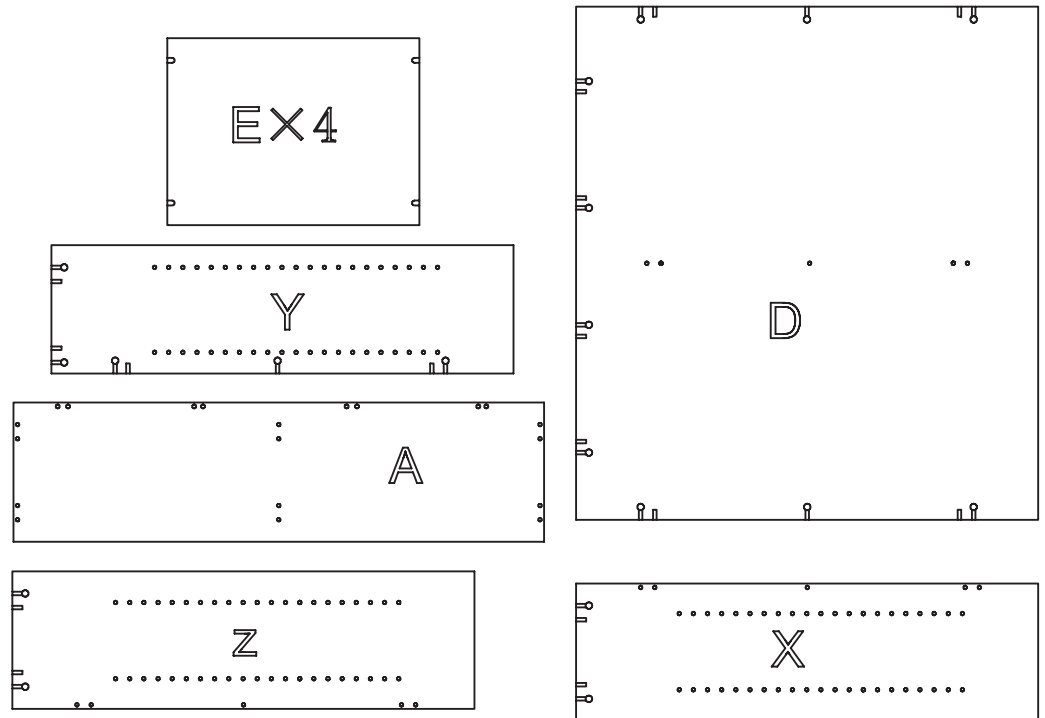
# Ergoplan Hutch

## Assembly Instructions

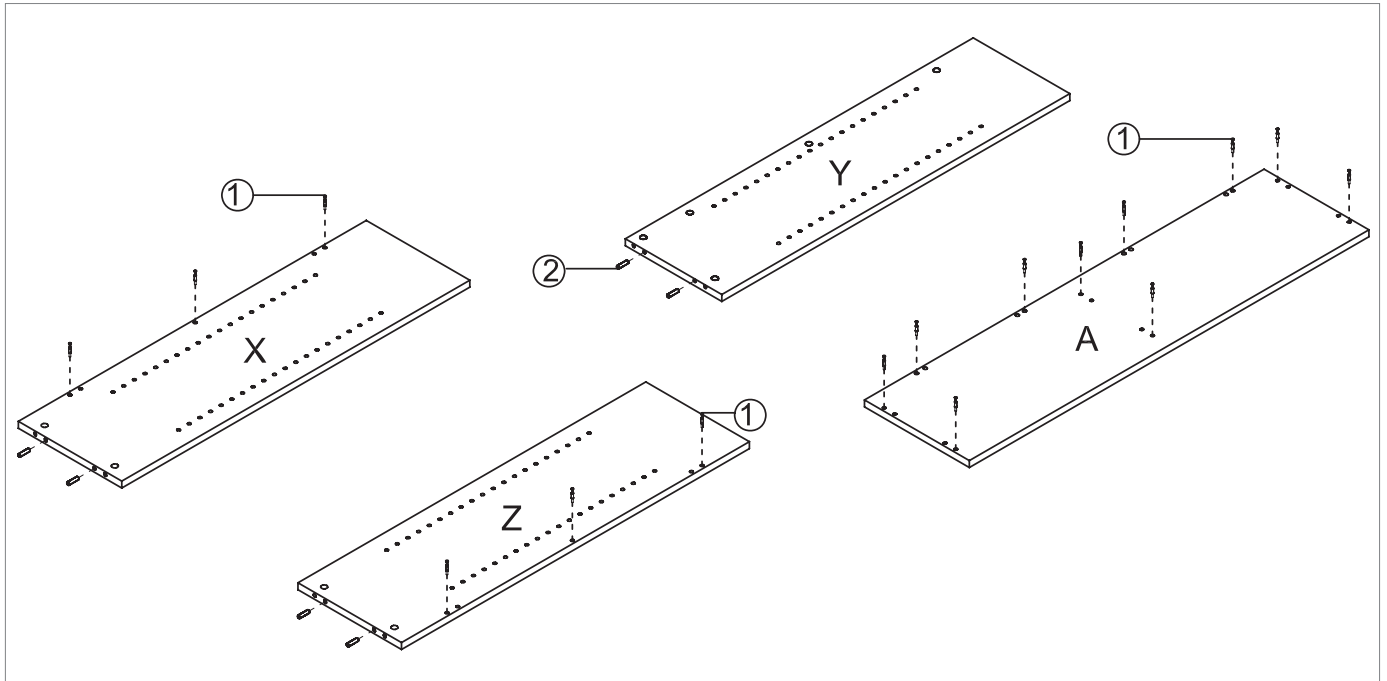
- To prevent possible scratches or damage, assemble the product upside down on a soft surface such as a blanket, carpet or packaging.



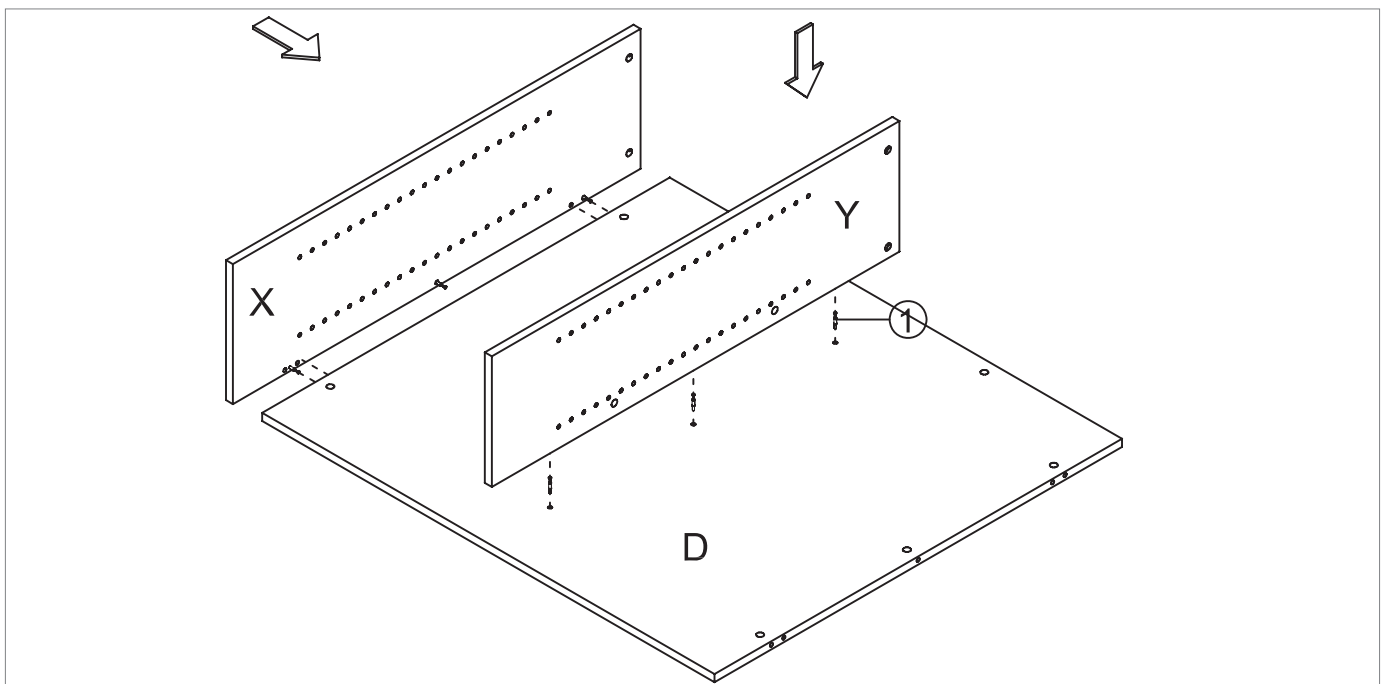
Recommended  
2-person Step



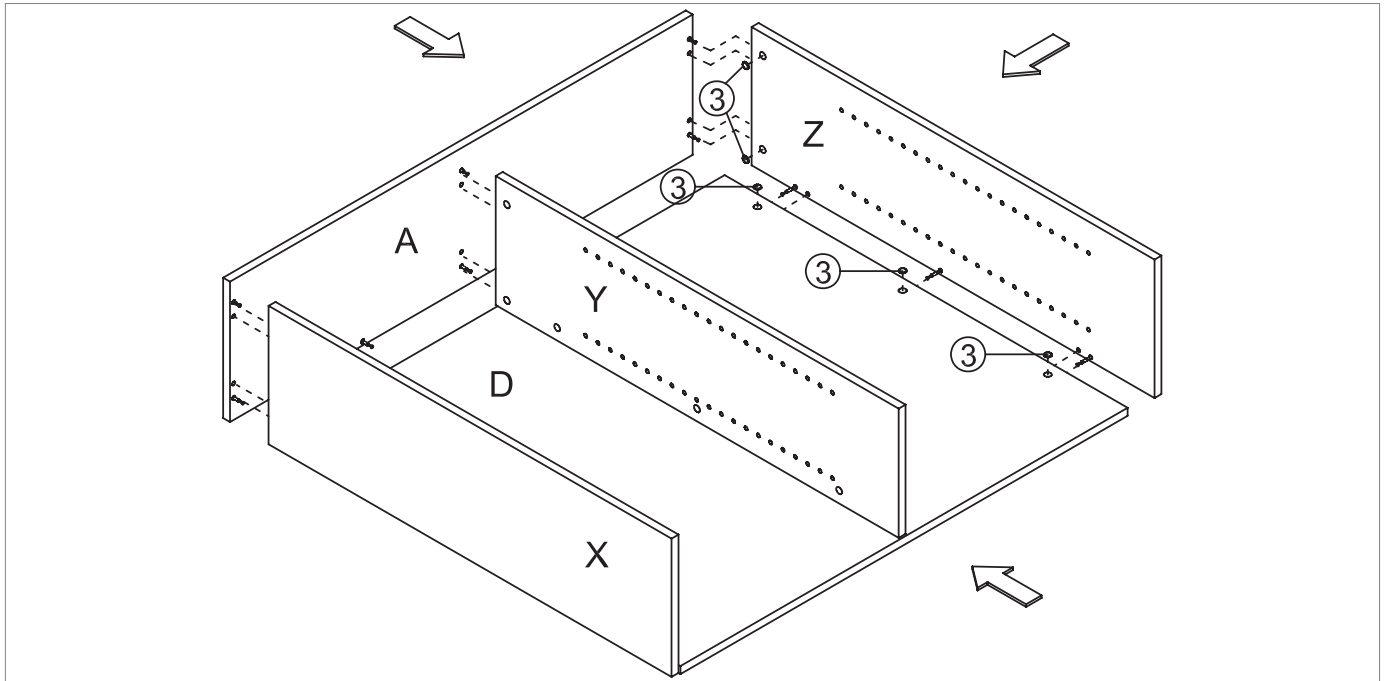
## Step 1



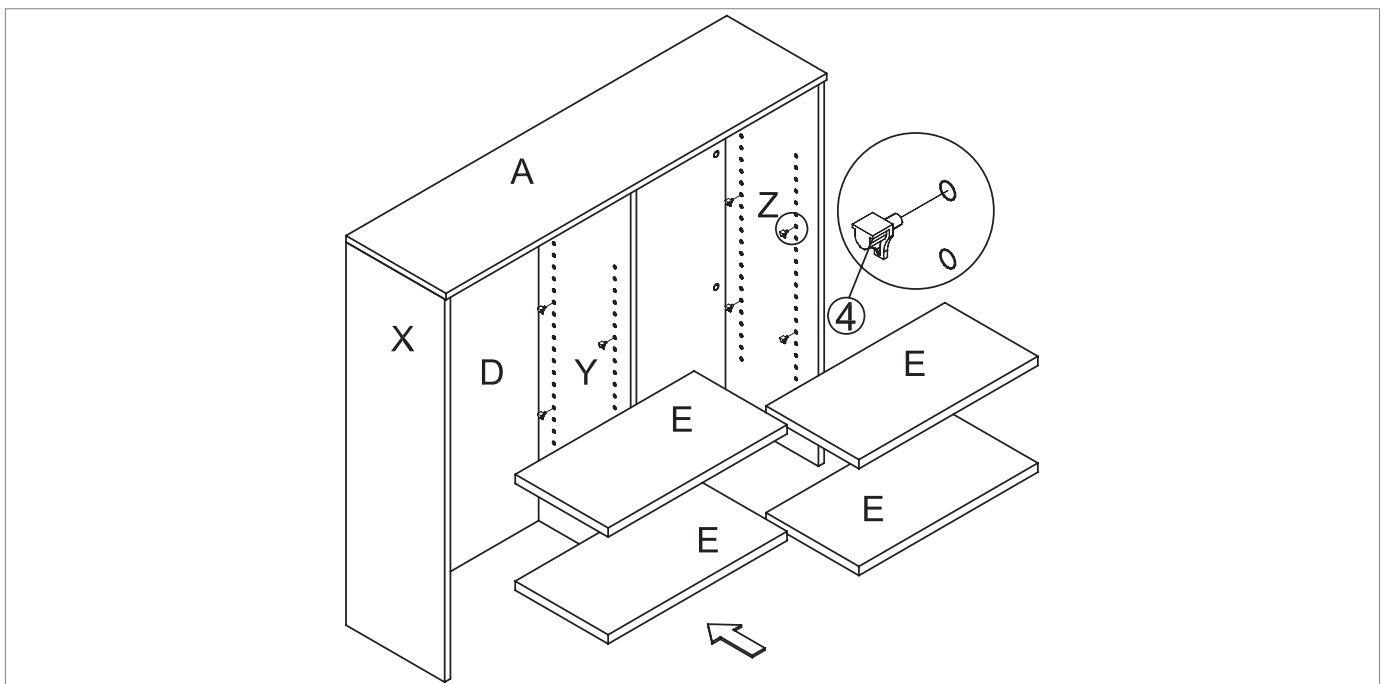
## Step 2



## Step 3



## Step 4



## Complete

---

