

# Anvil System

## Assembly Instructions

**Tools Required:** Powered Screwdriver



# Anvil System

## Assembly Instructions

---

Thank you for purchasing Knight product, please carefully read the assembly instructions prior to installment to gain a complete understanding of the product. It provides you with important information about the safety, use, installation and maintenance.

**WARNING: FAILURE TO COMPLY WITH OR OBSERVE ALL ASSEMBLY, SAFETY AND OPERATION INSTRUCTIONS REGARDING THE USE OF THIS PRODUCT MAY RESULT IN SERIOUS BODILY INJURY.**

### SAFETY

- The product must be used in a safe manner. Inappropriate use may cause damage to the product and/or cause bodily harm to the user or persons nearby.
- Don't locate furniture in direct sunlight or near air-conditioning inlet or heating radiator.
- Don't put high-temperature or frozen objects on furniture.
- Safely carry product to location of assembly.
- Retain this operation manual and pass it on to any future owner.

### SET UP AND INSTALLATION

- Assemble the product according to the assembly instructions.
- To prevent possible scratches or damage, assemble the product on a soft surface such as a blanket, carpet or packaging.
- Place the product a safe distance from window frames, radiators, furniture etc. so that persons cannot become trapped.

It is recommended that this product is assembled by 2 people.

**Any questions contact Knight on 0800 143 143**

Due to continuous improvement of our products, our assembly instructions may not be in complete accordance with the product and we apologise in advance.

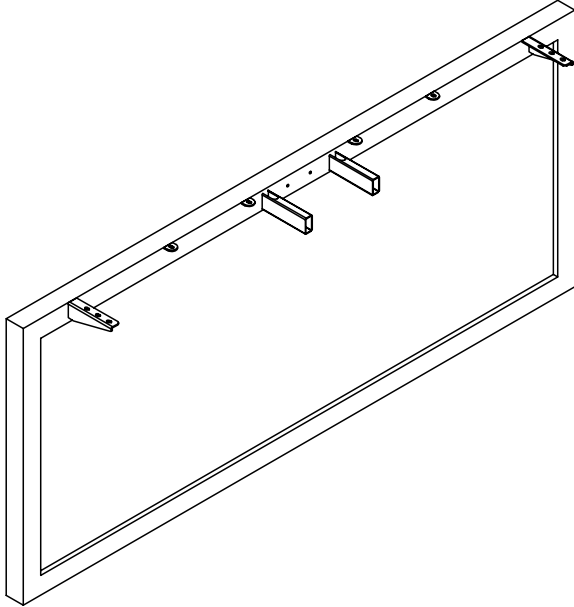


# Anvil System

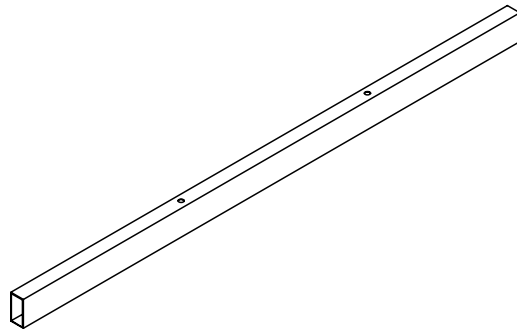
## Assembly Instructions

---

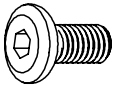
### Parts



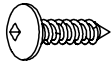
2 x Legs



2 x Rails



8 x M8x16



20 x ST5x23



4 x ST5x70

### Tools

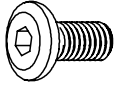


Electric Driver  
Square

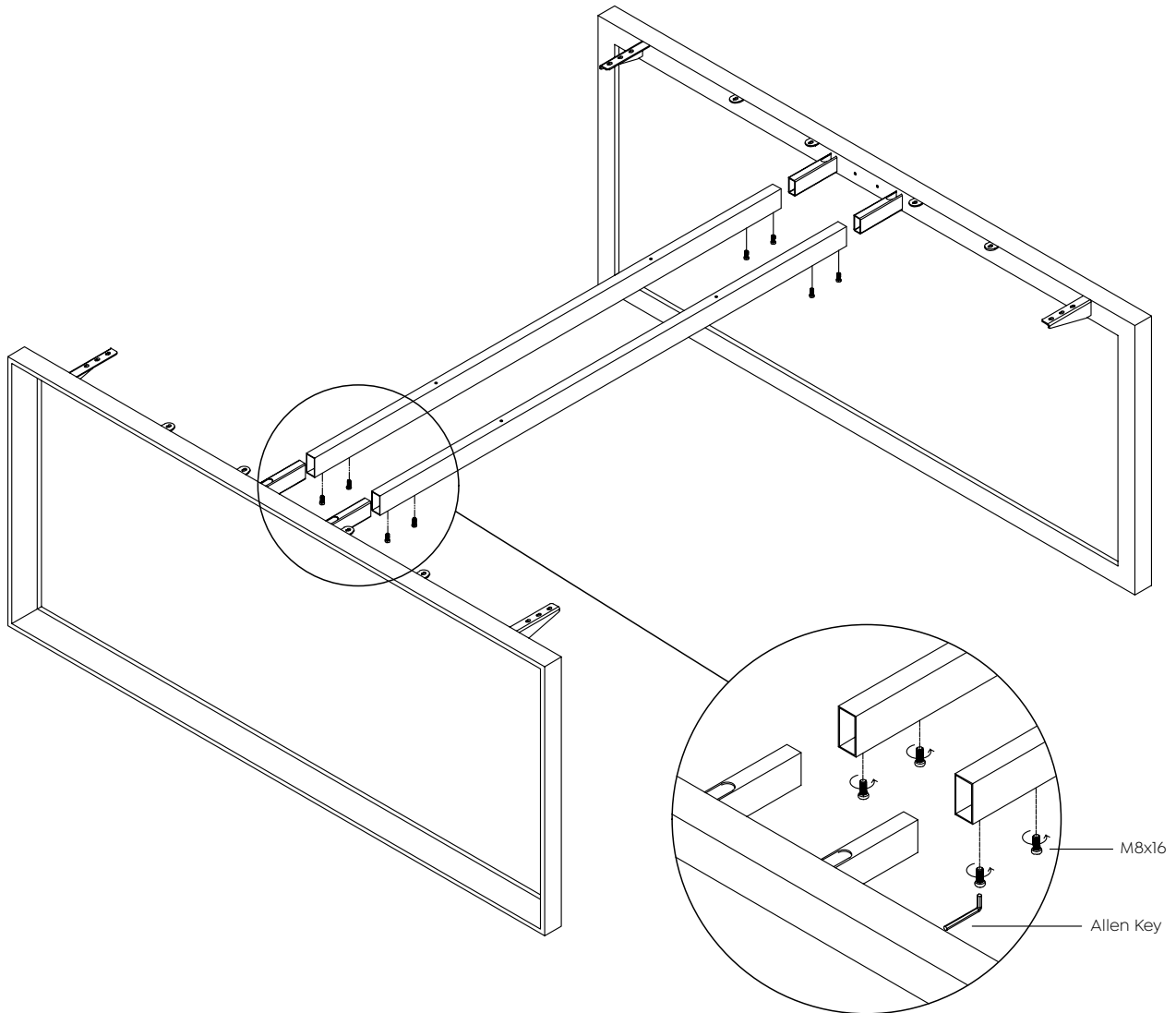


Allen Key

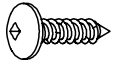
## Step 1



8 x M8x16



### Step 2



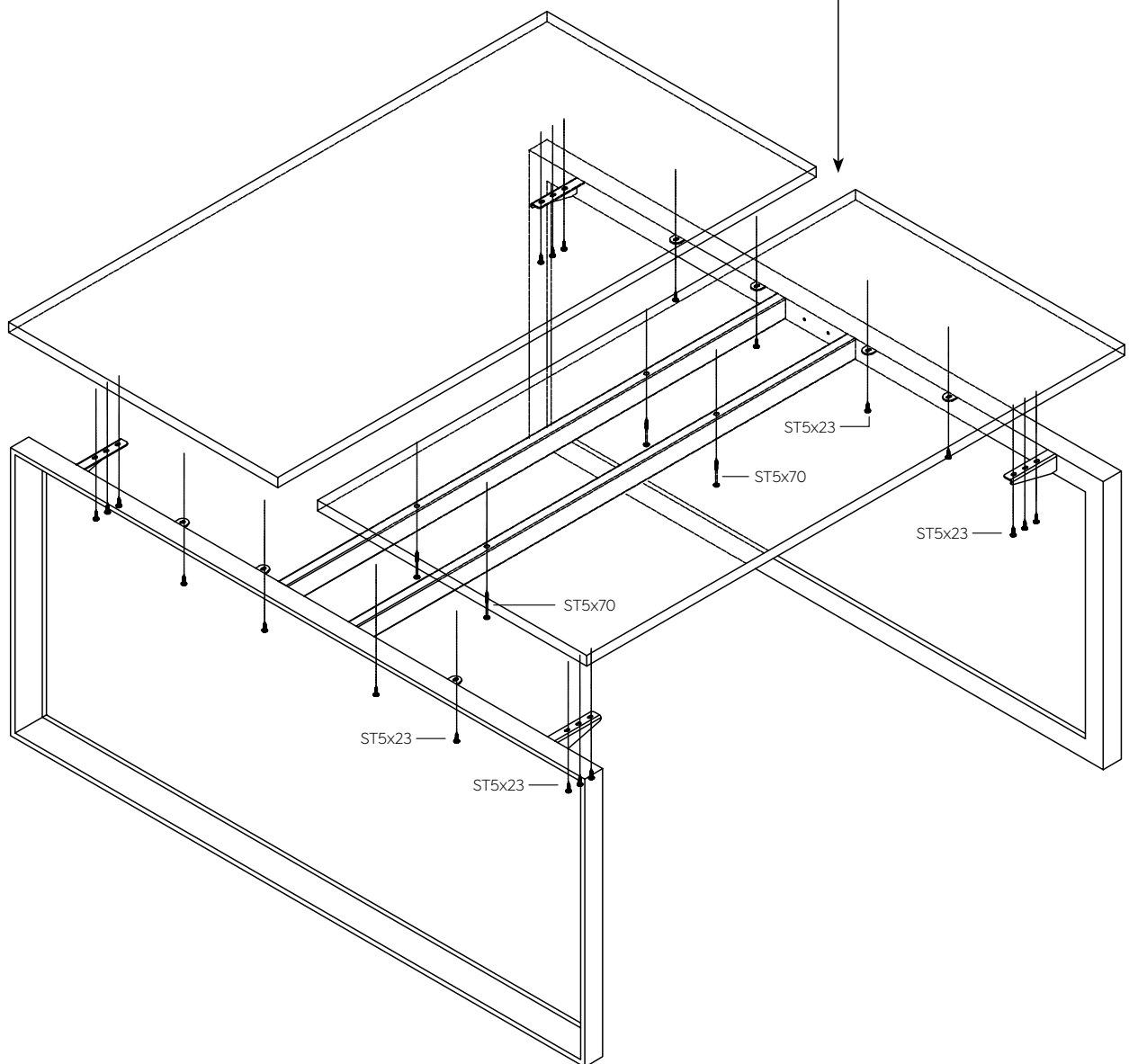
20 x ST5x23



4 x ST5x70

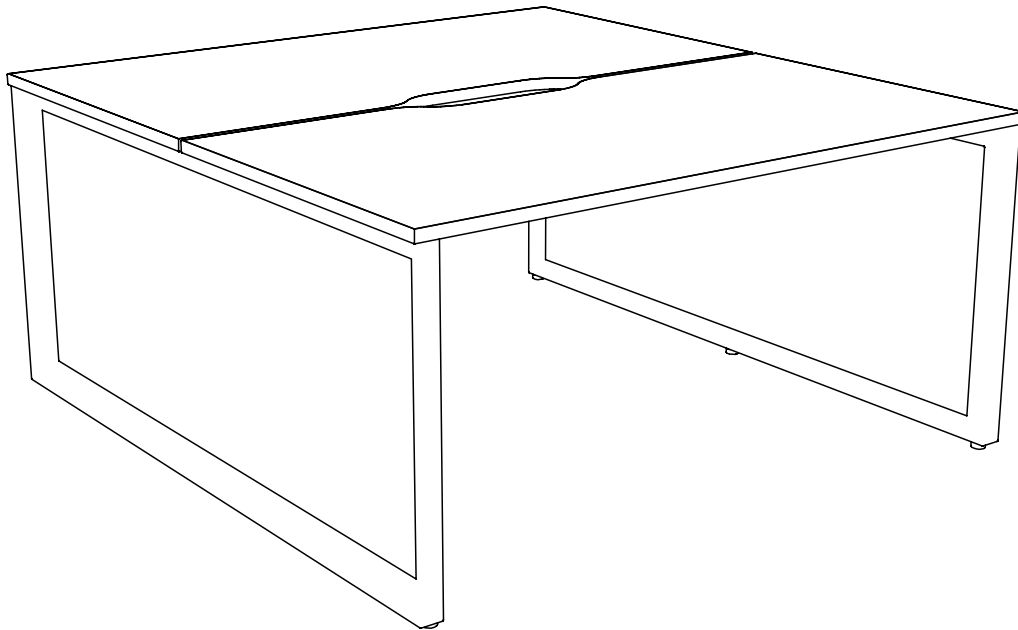
#### Worktop Alignment with Frame:

Please note when installing the worktops, they will need to over hang at the front by 5mm to allow for the screen bracket gap of 10mm between the two worktops.



## Complete

---



**Adding Additional Users:**

To add additional users to the 2 person Anvil System illustrated in these assembly instructions please refer to the assembly instructions for the **'Cantilever Leg and Rail Set'**.

**Active25 Screens:**

To add Active25 Screens to Anvil System please refer to the assembly instructions for **'Active25 System Screens'**.

*Assembly instructions available online at [knightgroup.co.nz](http://knightgroup.co.nz) under resources.*