

Cubit Bookcase

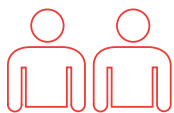
Assembly Instructions

Tools Required: Powered Screwdriver

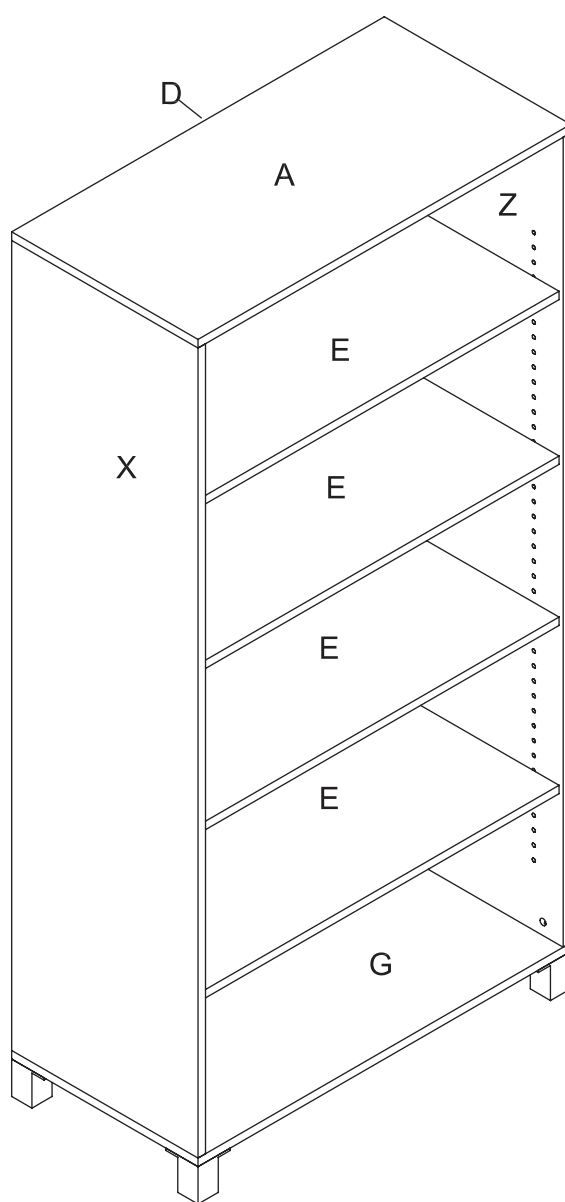


Assembly Instructions

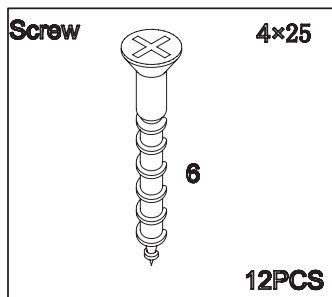
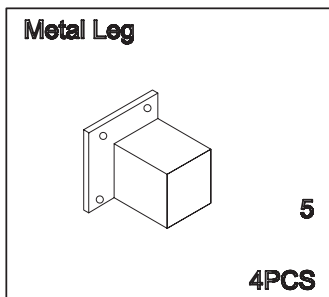
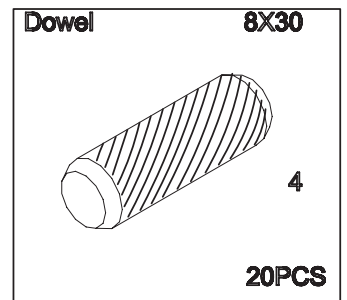
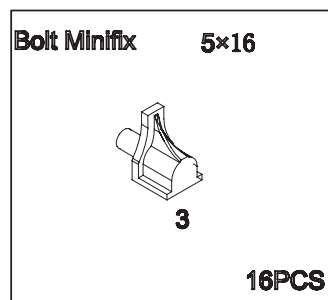
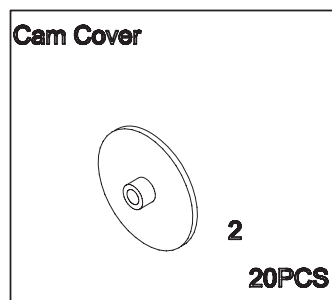
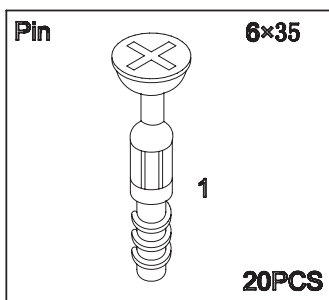
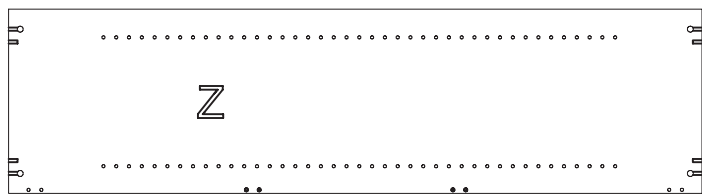
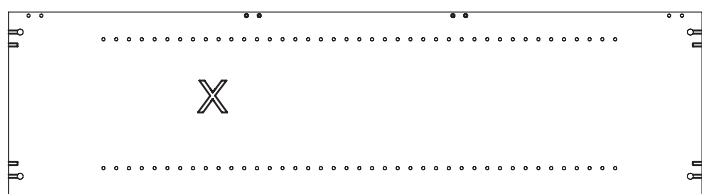
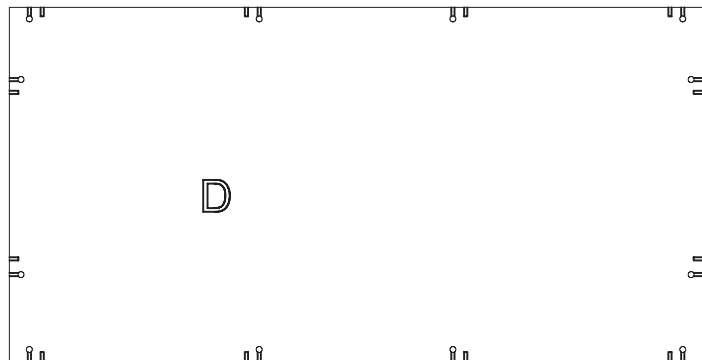
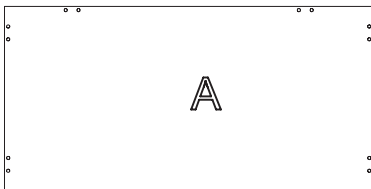
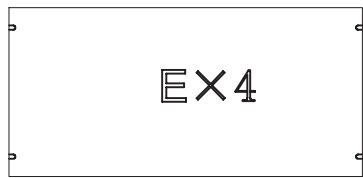
- To prevent possible scratches or damage, assemble the bookcase on a soft surface such as a blanket, carpet or packaging.



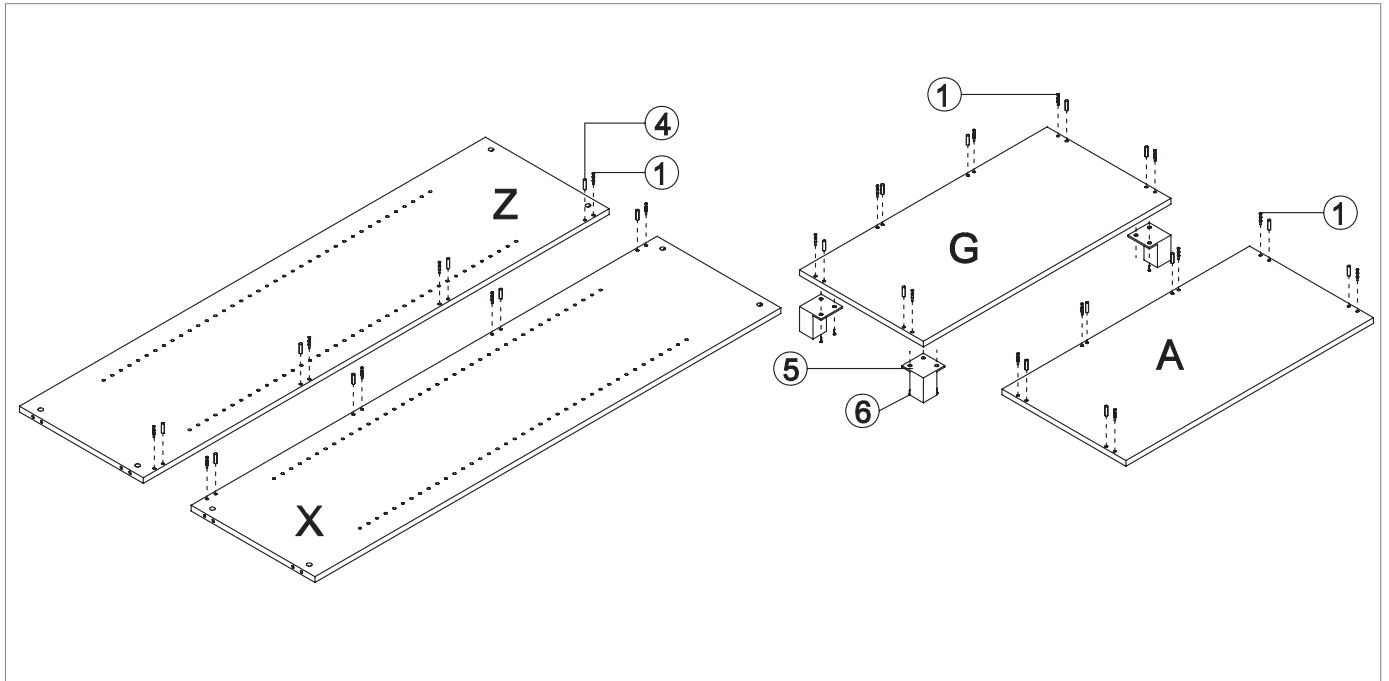
**Recommended
2-person Step**



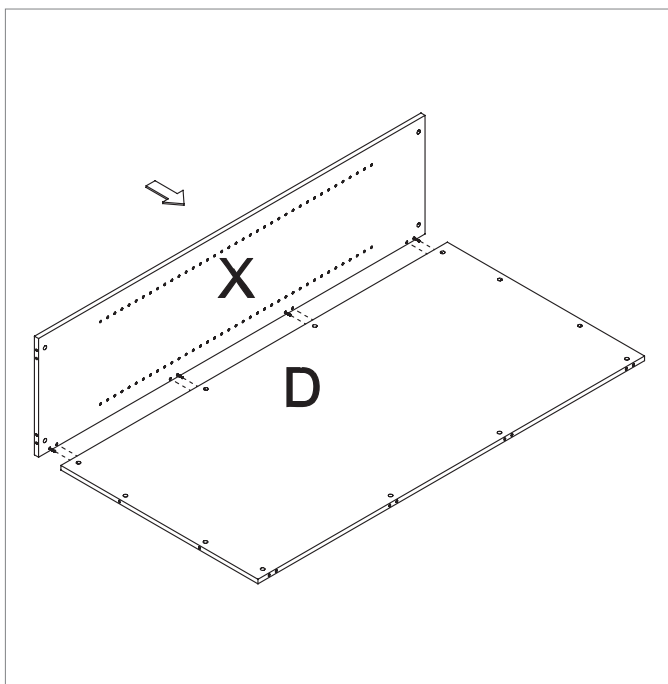
Assembly Instructions



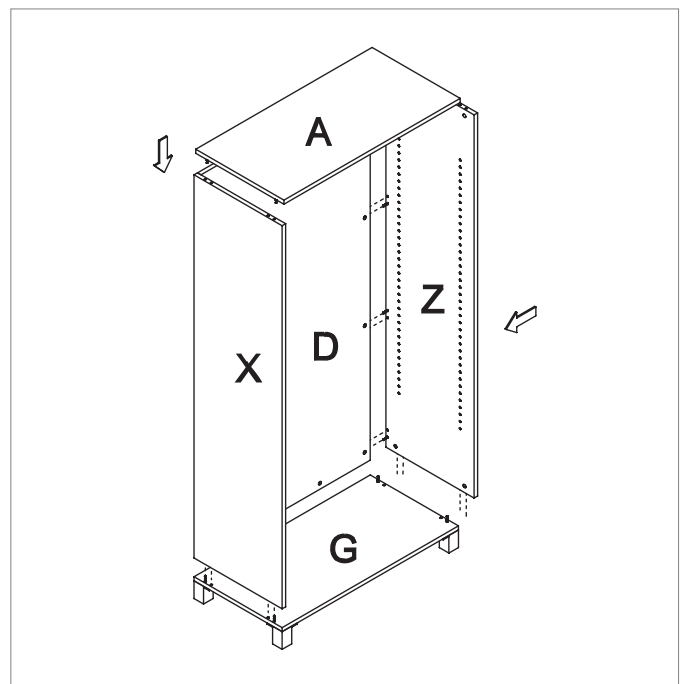
Step 1



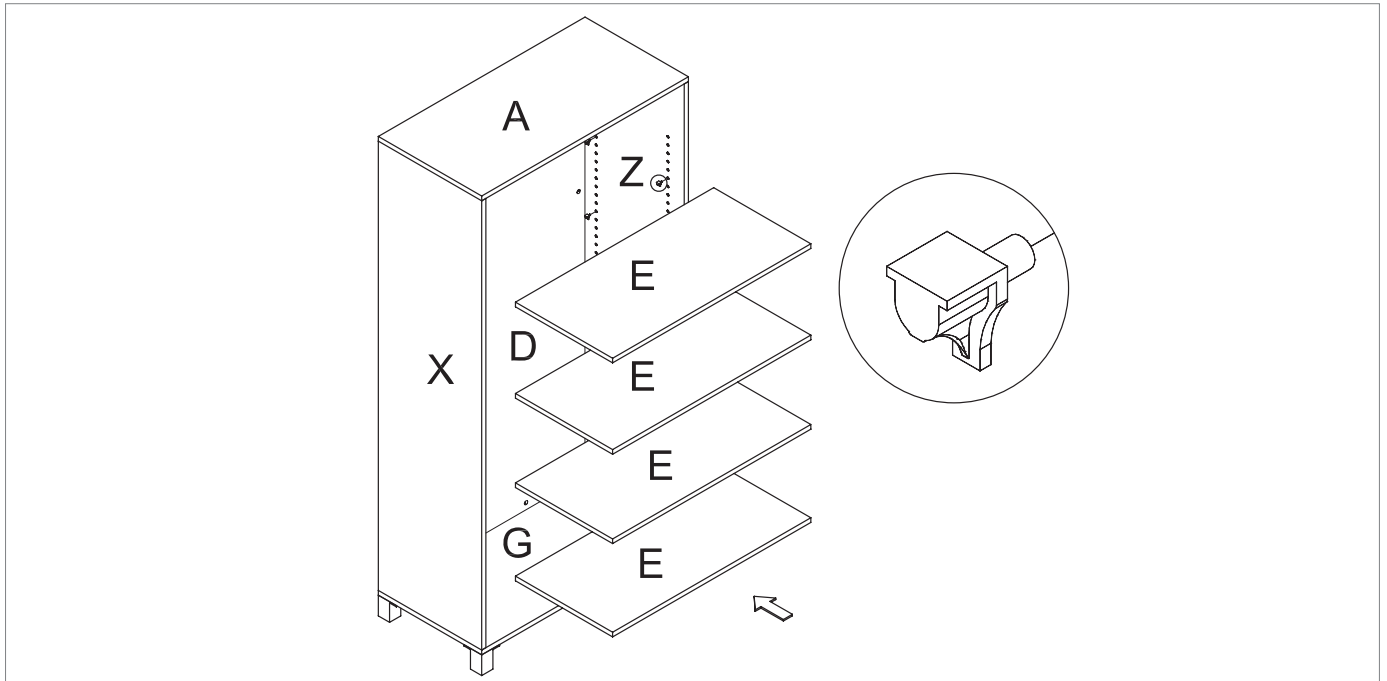
Step 2



Step 3



Step 4



Completed

