

# Cubit Desk

## Assembly Instructions

**Tools Required:** Powered Screwdriver

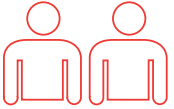


# Cubit Desk

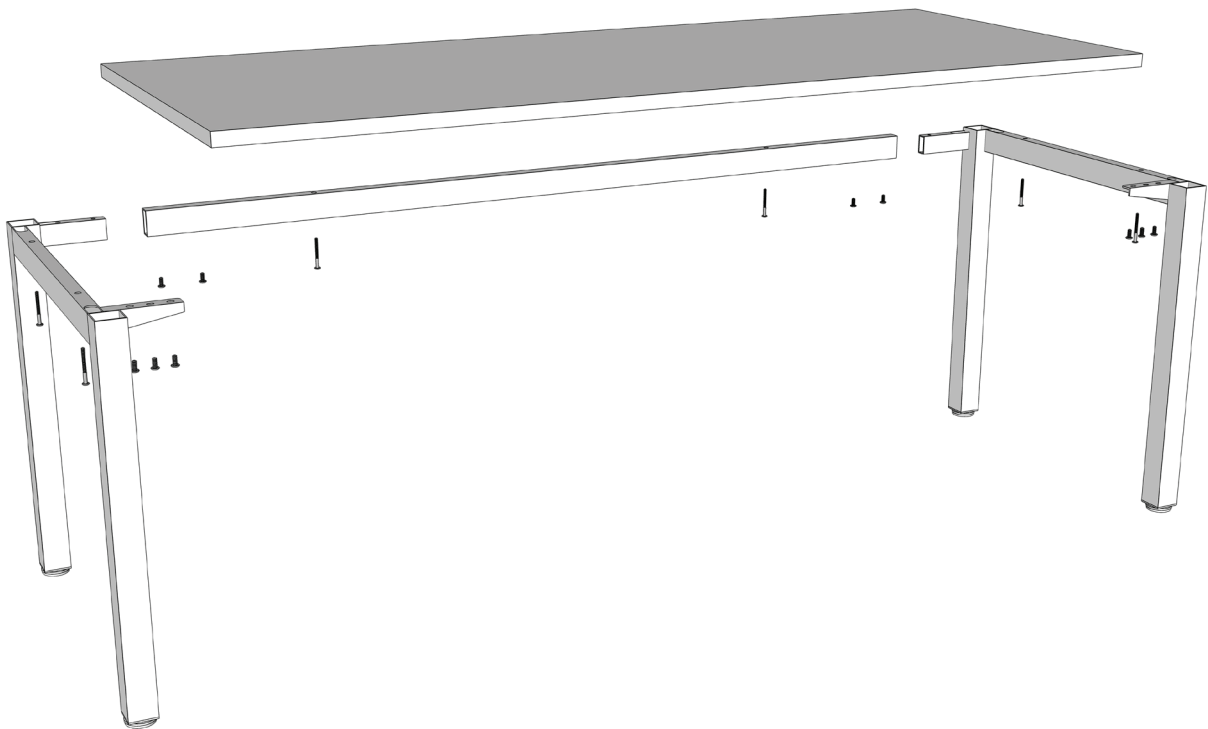
## Assembly Instructions

---

- To prevent possible scratches or damage, assemble the desk upside down on a soft surface such as a blanket, carpet or packaging.
- Attach leg to the top assembly by using bolts, spring washer, flat washer. Tighten using the allen wrench.

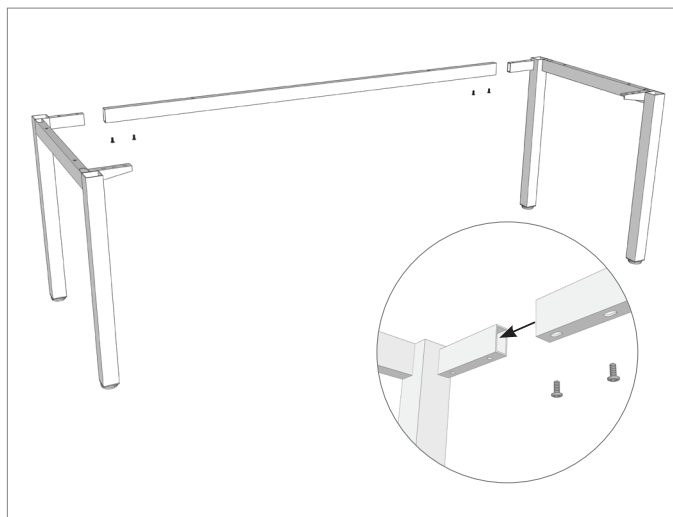


**Recommended  
2-person Step**



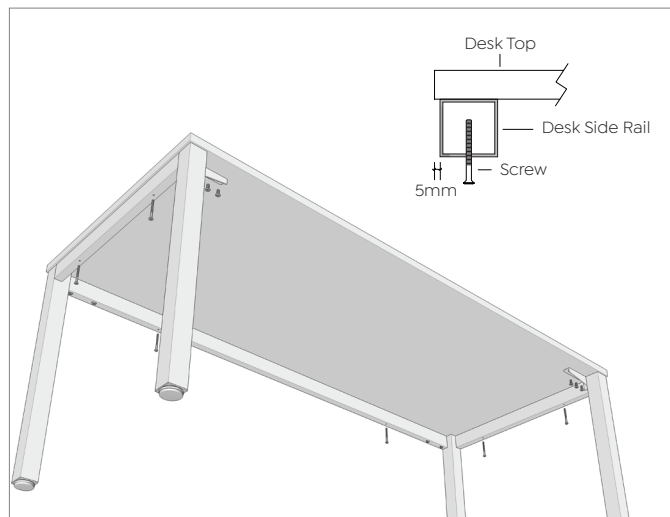
### Step 1

Assemble frames & rails together, loosely (1 turn from tight).

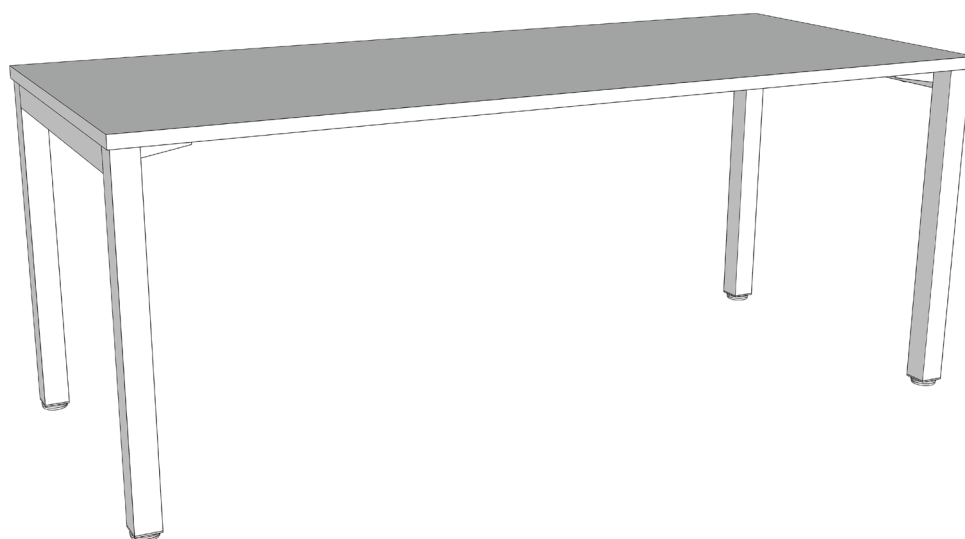


### Step 2

Fix desk top with 5mm overhang over metal frame. Lastly, fully tighten all rails to frame screws.

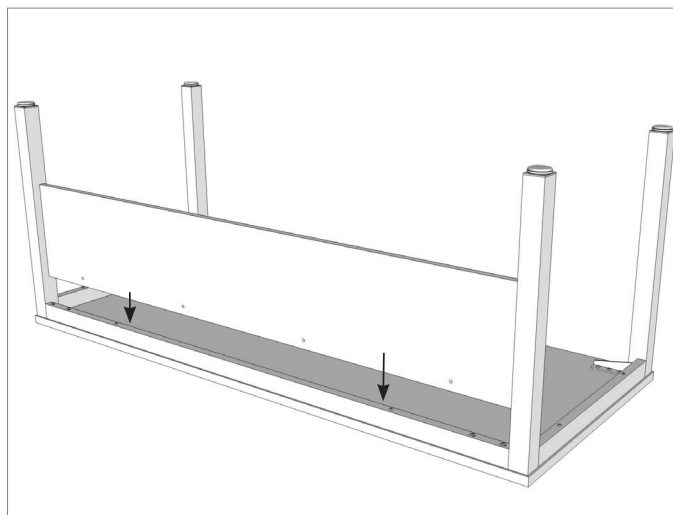


### Completed



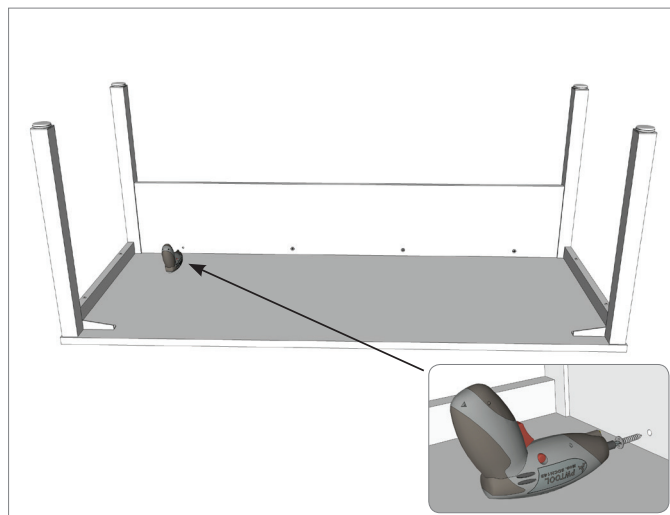
### Step 1

Position the modesty behind the rail. **(There is no pre-drilled holes on the rail).**



### Step 2

Fully tighten the modesty onto the rail with provided self-tapping screws.



### Completed

